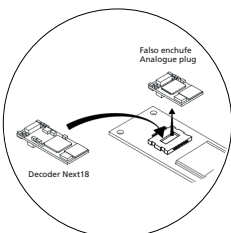
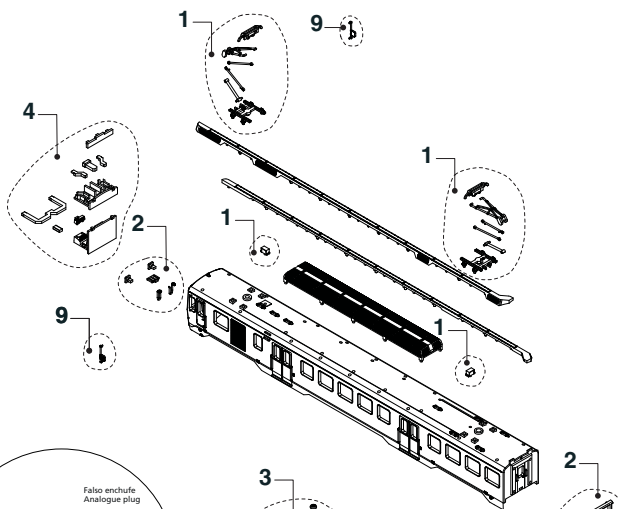


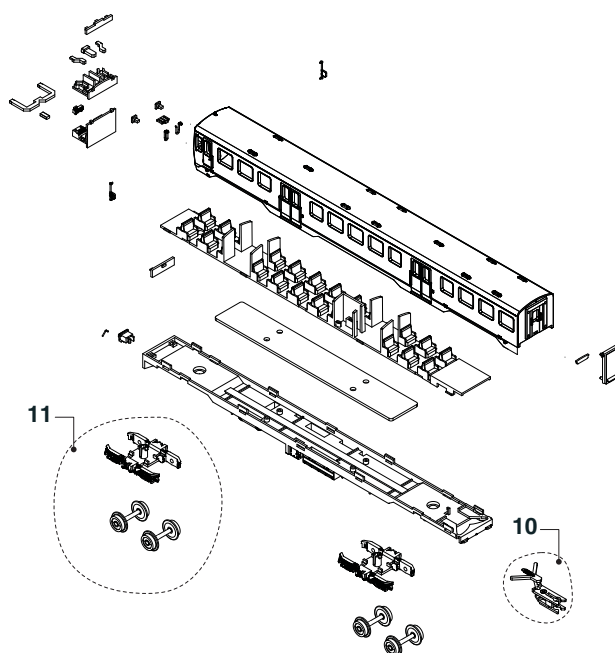
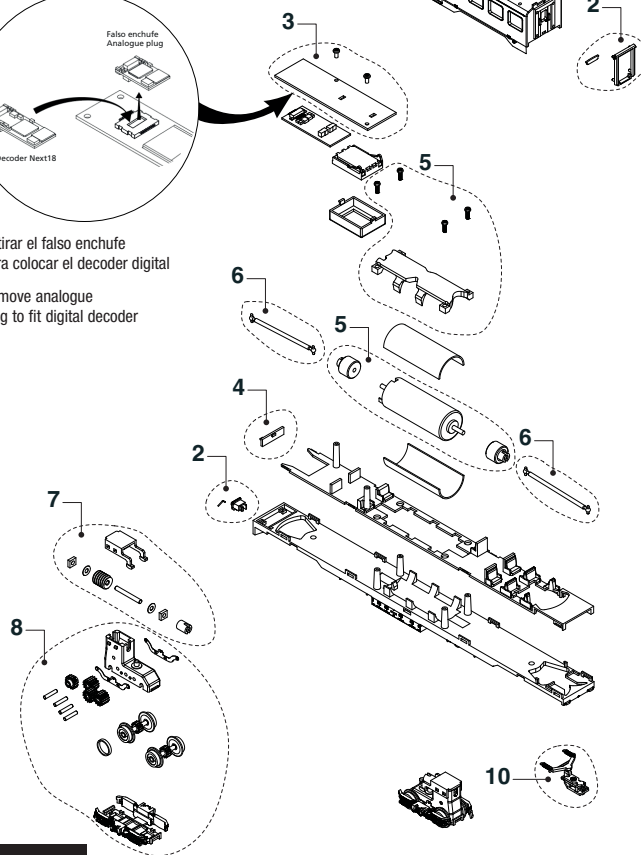
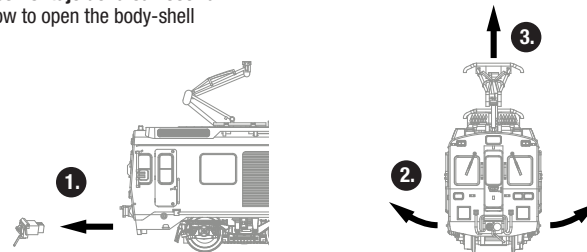
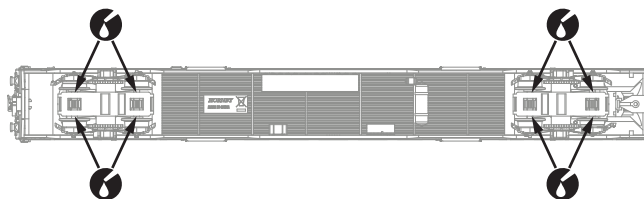
LISTA DE RECAMBIOS / LIST OF SPARES

Número Number	Descripción Description		Ref. repuesto Spare part ref.
1	Accesorios techo Roof accessories		HN2440/01
2	Accesorios intercomunicación Intermediate accessories	HN2506 HN2507	HN2440/02 HN2441/02
3	PCB principal Main PCB		HN2440/03
4	PCB luces Lights PCB		HN2440/04
5	Motor Motor		HN2440/05
6	Transmisiones Transmissions		HN2440/06
7	Sinfin y tapa Worm and cover		HN2440/07
8	Bogie motor completo Motorized bogie set	HN2506 HN2507	HN2440/08 HN2441/08
9	Accesorios de carrocería Bodyshell accessories		HN2506/09 HN2507/09
10	Enganche portacorriente Carrier coupler		HN2440/10
11	Bogie remolque Intermediate car bogie	HN2506 HN2507	HN2440/11 HN2441/11



Retirar el falso enchufe para colocar el decoder digital

Remove analogue plug to fit digital decoder


Desmontaje de la carrocería
 How to open the body-shell

Puntos de engrase (coche motor)
 Where to grease (motor coach)


Este modelo está diseñado para poder circular por curvas de radio de 192 mm. Debido a sus características, como la longitud de cada unidad en relación a la distancia entre pivotes y nuestra fiel reproducción a escala, el paso por curvas "S" de radio 192 mm. sin recta intermedia puede causar descarrilamientos. Sugerimos evitar este tipo de trazados o intercalar tramos rectos entre curvas enlazadas.

This model has been designed to run in curves of down to 192 mm radius. But due to its characteristics such as the length of each unit in relation to the distance between the bogies' centre pivots and the scale reproduction of the body shells, the train might derail when running in S-curves of 192 mm radius without straight intermediate track. We suggest to avoid this type of track geometry or to add sufficiently long straight tracks to avoid any possible issue.